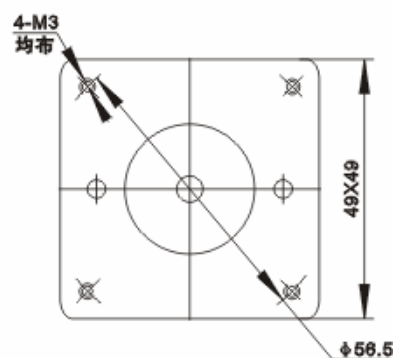
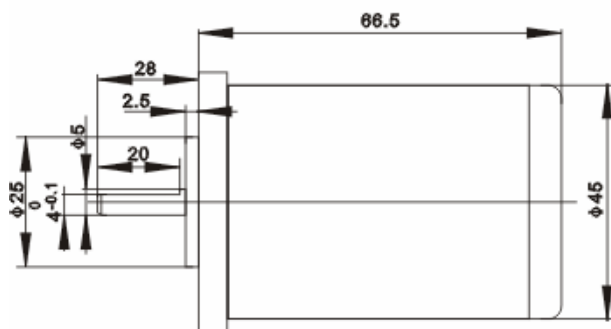
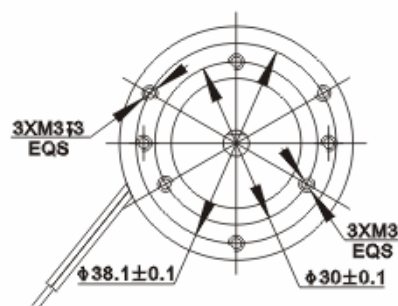
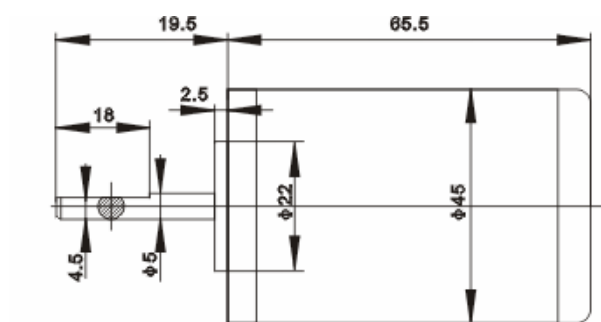


The PMDC motor has such features: low noise, little disturbance, is mainly used in currency counter.



Type	Rated voltage V	No-load speed r/min	Rated current A	Rated torque mN.m	Rated speed r/min	Rated power W
45ZY12-15	12	3000	3,2	68	2100	15
45ZY24-25-D	24	3800	1,7	79	3000	25
45ZY24-30-D	24	3800	2,2	100	3000	30